



## SPARE PARTS CATALOGUE



## **Shrachi Petrol Power Weeder**

[For Models - 75Z, 100 & 100H]

## Engine Parts

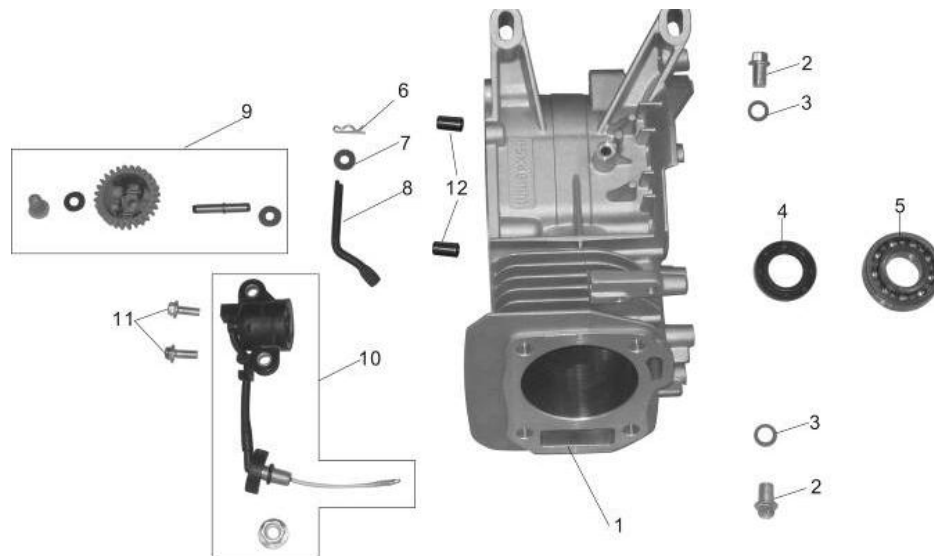
### I. Assembly Cylinder Head:



Serial No.	PART CODE FOR 75Z Power Weeder	PART CODE FOR 100/100H Power Weeder	ERP Description	Quantity for One Unit
1	SPWDS75E010010	SPMTHCEN010010	DOWEL PIN/10*16	2
2	SPWDS75E010020	SPMTHHEN010020	HEAD GASKET#	1
3	SPWDS75E010030	SPMTHCEN010030	BOLT / GB5789-M8*55	4
4	SPWDS75E010040	SPMTHCEN010040	BOLT STUD EX / M8*34	2
5	SPWDS75E010050	SPMTHCEN010050	PAPER WASHER, EXHAUST OPENING	1
6	SPWDS75E010060	SPMTHCEN010060	PACKING HEAD COVER	1
7	SPWDS75E010070	SPMTHCEN010070	BOLT / GB5787-M6*14	4
8	SPWDS75E010080	SPMTHCEN010080	PLUG SPARK / F7TC	1
9	SPWDS75E010090	SPMTHCEN010090	BOLT STUD / M6*113	2
10	SPWDS75E010100	SPMTHCEN010100	COVER, CYLINDER HEAD	1
11	SPWDS75E010110	SPMTHCEN010110	CYINDER HEAD	1

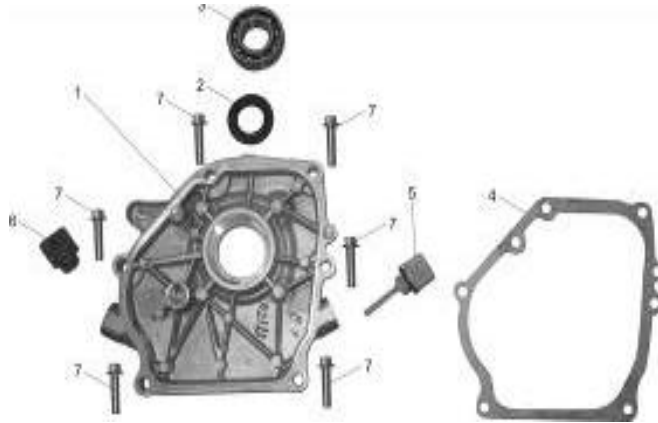
# Different Code for 100 H Model with GX200 engine

## II. Assembly Crankcase:



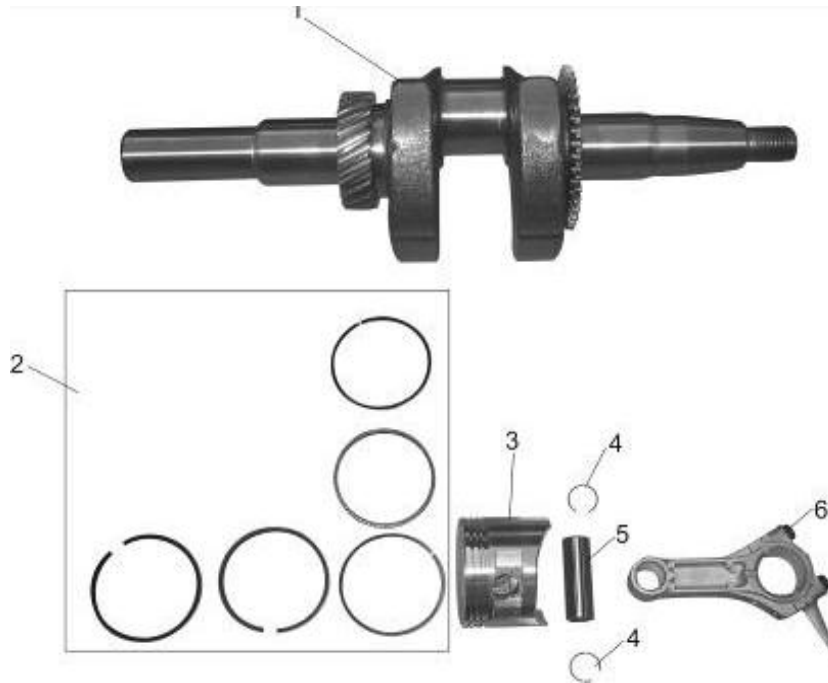
Serial No.	PART CODE FOR 75Z Power Weeder	PART CODE FOR 100/100H Power Weeder	ERP Description	Quantity for One Unit
1	SPWDS75E020010	SPMTHCEN020010	CRANKCASE WITH HOLE	1
2	SPWDS75E020020	SPMTHCEN020020	BOLT / GB5787-M10*15*1.25	2
3	SPWDS75E020030	SPMTHCEN020030	PARONITE GASKET φ10×φ15×1.2	2
4	SPWDS75E020040	SPMTHCEN020040	OIL SEAL 25*41.25*6	1
5	SPWDS75E020050	SPMTHCEN020050	BEARING / GB276-6205	1
6	SPWDS75E020060	SPMTHCEN020060	LOCK PIN/1*5.7	1
7	SPWDS75E020070	SPMTHCEN020070	IRON WASHER /GB97-6*15*0.5	1
8	SPWDS75E020080	SPMTHCEN020080	SHAFT GOVERNOR ARM	1
9	SPWDS75E020090	SPMTHCEN020090	GOVERNOR GEAR	1
10	SPWDS75E020100	SPMTHCEN020100	OIL LEVEL SWITCH	1
11	SPWDS75E020110	SPMTHCEN020110	BOLT / GB5787-M6*16	2
12	SPWDS75E020120	SPMTHCEN020120	DOWEL PIN / 8*14	2

### III. Assembly Crankcase Cover:



Serial No.	PART CODE FOR 75Z Power Weeder	PART CODE FOR 100/100H Power Weeder	ERP Description	Quantity for One Unit
1	SPWDS75E030010	SPMTHCEN030010	CRANKCASE COVER	1
2	SPWDS75E030020	SPMTHCEN030020	OIL SEAL 25*41.25*6	1
3	SPWDS75E030030	SPMTHCEN030030	BEARING / GB276-6205	1
4	SPWDS75E030040	SPMTHCEN030040	PACKING CASE COVER	1
5	SPWDS75E030050	SPMTHCEN030050	OIL DIPSTICK	1
6	SPWDS75E030060	SPMTHCEN030060	OIL FILLER PLUG	1
7	SPWDS75E030070	SPMTHCEN030070	BOLT//GB5787-M8*32	6

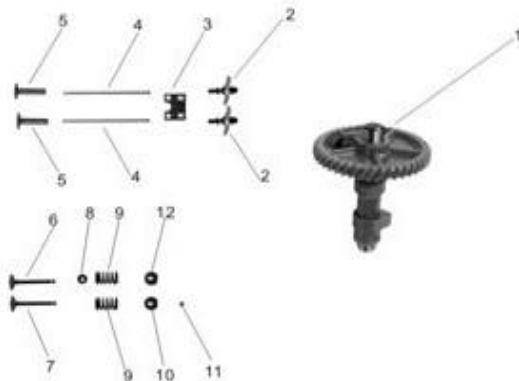
#### IV. Assembly Crank Shaft:



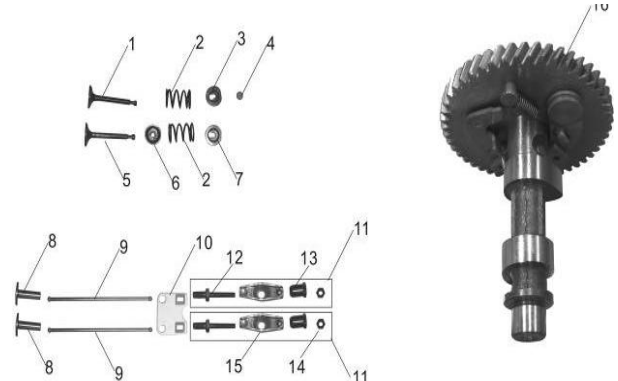
Serial No.	PART CODE FOR 75Z Power Weeder	PART CODE FOR 100/100H Power Weeder	ERP Description	Quantity for One Unit
1	SPWDS75E040010	SPMTHCEN040010	CRANKSHAFT COMP	1
2	SPWDS75E040020	SPMTHCEN040020	RING SET#	1
3	SPWDS75E040030	SPMTHCEN040030	PISTON#	1
4	SPWDS75E040040	SPMTHCEN040040	CLIP PISTON PIN#	2
5	SPWDS75E040050	SPMTHCEN040050	PIN PISTON#	1
6	SPWDS75E040060	SPMTHCEN040060	ROD ASSY CONNECTING	1

# Different Code for 100 H Model with GX200 engine

## V. Assembly Crank Shaft:



**75Z Power Weeder**



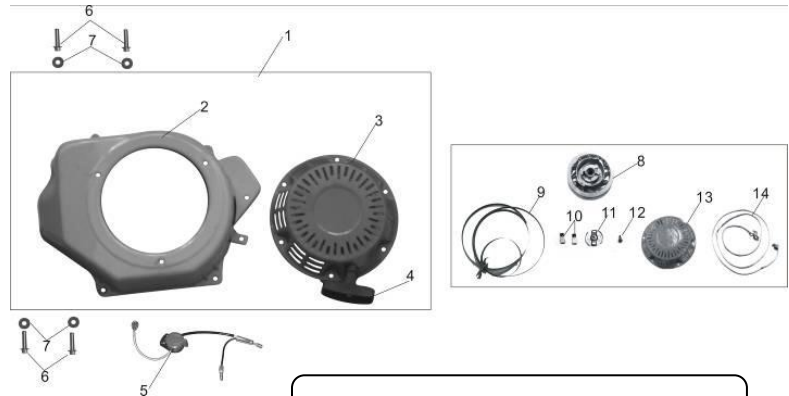
**100/ 100H Power Weeder**

Serial No.	PART CODE FOR 75Z Power Weeder	PART CODE FOR 100/100H Power Weeder	ERP Description	Quantity for One Unit
1	SPWDS75E050010	SPMTHCEN050160	CAMSHAFT	1
2	SPWDS75E050020	SPMTHCEN050110	ARM VALVE ROCKER ASSEMBLY	2
3	SPWDS75E050030	SPMTHCEN050100	SR168F/P (PLATE PUSH ROD GUIDE)	1
4	SPWDS75E050040	SPMTHCEN050090	ROD PUSH	2
5	SPWDS75E050050	SPMTHCEN050080	LIFTER VALVE	2
6	SPWDS75E050060	SPMTHCEN050050	VALVE IN	1
7	SPWDS75E050070	SPMTHCEN050010	VALVE EX	1
8	SPWDS75E050080	SPMTHCEN050060	SR168F/P (SEAL GUIDE)	1
9	SPWDS75E050090	SPMTHCEN050020	SPRING, VALVE	2
10	SPWDS75E050100	SPMTHCEN050030	RETAINER, EX.VALVE SPRING	1
11	SPWDS75E050110	SPMTHCEN050040	RATATOR VALVE	1
12	SPWDS75E050120	SPMTHCEN050070	RETAINER, IN.VALVE SPRING	1
13		SPMTHCEN050120	BOLT PIVOT ARM	2
14		SPMTHCEN050130	NUT PIVOT ADJUSTING	2
15		SPMTHCEN050140	PIVOT ROCKER ARM	2
16		SPMTHCEN050150	ROCKER ARM	2

## VI. Assembly Recoil Starter:



**75Z Power Weeder**

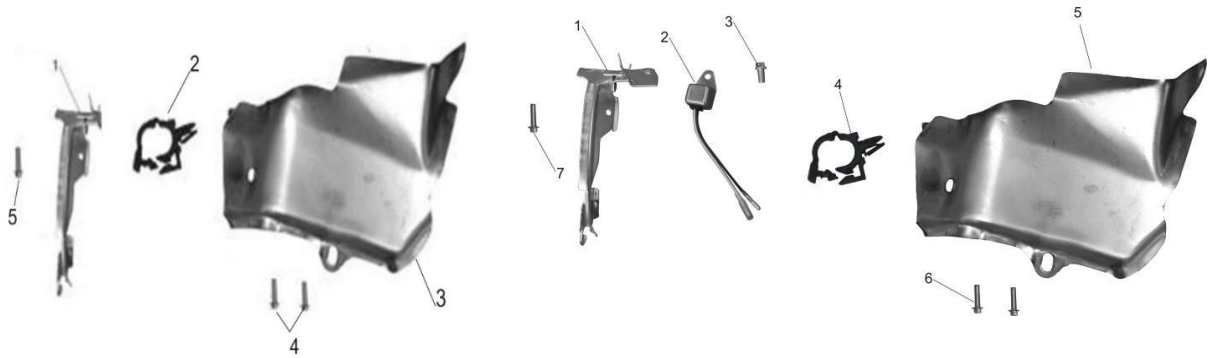


**100/ 100H Power Weeder**

Serial No.	PART CODE FOR 75Z Power Weeder	PART CODE FOR 100/100H Power Weeder	ERP Description	Quantity for One Unit
1	SPWDS75E060010	SPMTHCEN060010	RECOIL STARTER COMP#	1
2	SPWDS75E060020	SPMTHCEN060050	SWITCH ASSY ENGINE STOP ( OIL ALERT ) #	1
3	SPWDS75E060030	SPMTHCEN060060	BOLT / GE5787-M6*12#	4
4	SPWDS75E060040	SPMTHCEN060070	RED PAPER WASHER / Φ6.2*Φ10*0.8#	4
5		SPMTHCEN060020	COVER COMP FAN#	1
6		SPMTHCEN060030	STARTER #	1
7		SPMTHCEN060040	KNOB #	1
8		SPMTHCEN060080	REEL RECOIL STARTER#	1
9		SPMTHCEN060090	SPRING RECOIL SATRTER#	1
10		SPMTHCEN060100	RATCHET STARTER#	2
11		SPMTHCEN060110	GUIDE RATCHET#	1
12		SPMTHCEN060120	SCREW SETTING#	1
13		SPMTHCEN060130	COVER STARTER#	1
14		SPMTHCEN060140	ROPE#	1

# Different Code for 100 H Model with GX200 engine

**VII. Assembly POD:**



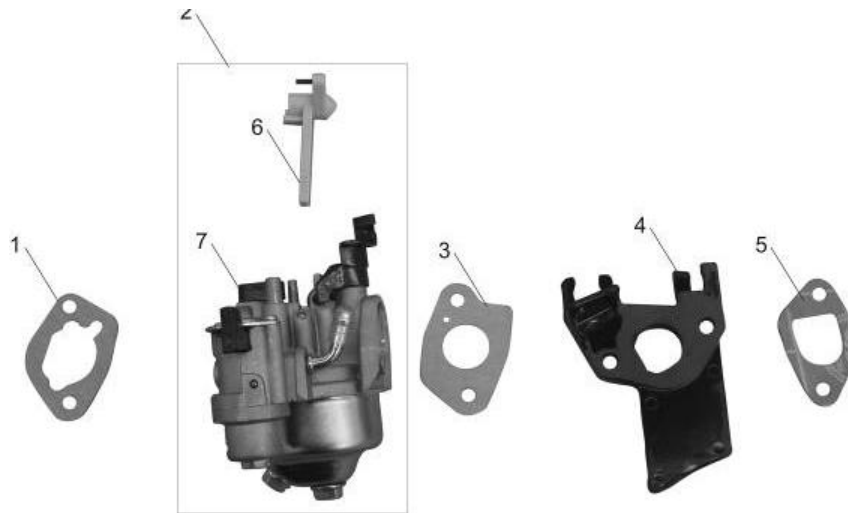
**75Z Power Weeder**

**100/ 100H Power Weeder**

Serial No.	PART CODE FOR 75Z Power Weeder	PART CODE FOR 100/100H Power Weeder	ERP Description	Quantity for One Unit
1	SPWDS75E070010	SPMTHCEN070010	PLATE SIDE	1
2	SPWDS75E070020	SPMTHCEN070040	WIRE CLIP	1
3	SPWDS75E070030	SPMTHCEN070050	POD	1
4	SPWDS75E070040	SPMTHCEN070030	BOLT / GE5787-M6*12	2
5	SPWDS75E070050	SPMTHCEN070070	BOLT / GE5787-M6*20	1
6		SPMTHCEN070020	ALART UNIT OIL	1
7		SPMTHCEN070060	BOLT / GE5787-M6*12	2

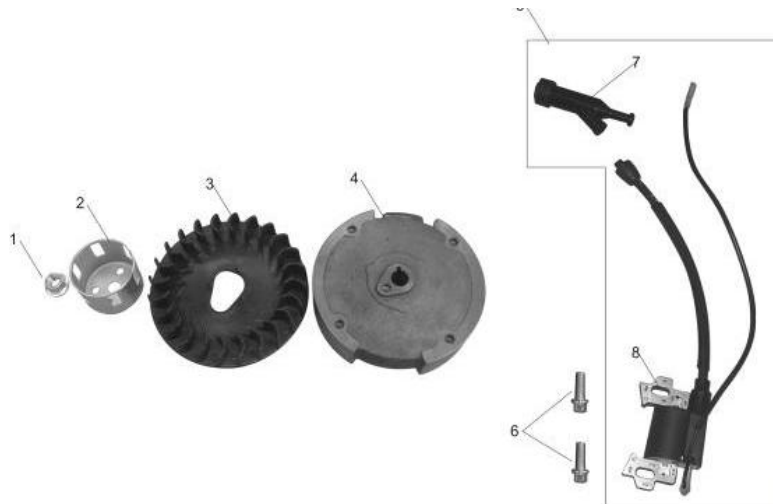


### VIII. Assembly Carburetor:



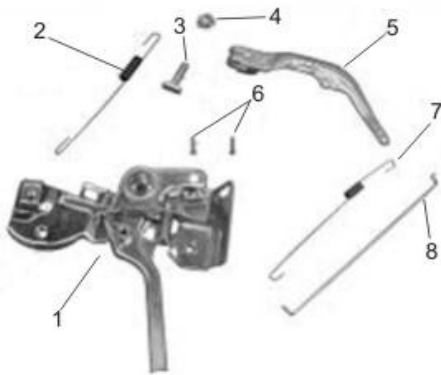
Serial No.	PART CODE FOR 75Z Power Weeder	PART CODE FOR 100/100H Power Weeder	ERP Description	Quantity for One Unit
1	SPWDS75E080010	SPMTHCEN080010	PAPER WASHER, AIR CLEANER	1
2	SPWDS75E080020	SPMTHHEN080020	CARBURETOR	1
3	SPWDS75E080030	SPMTHCEN080030	PAPER WASHER, CARBURETOR	1
4	SPWDS75E080040	SPMTHCEN080040	INSULATOR CARBURETOR	1
5	SPWDS75E080050	SPMTHCEN080050	PAPER WASHER, AIR INTAKE	1
6		SPMTHCEN080060	CHOKE LEVER	1
7		SPMTHCEN080070	CARBURETOR'S NOUMENON	1

**IX. Assembly Carburetor:**

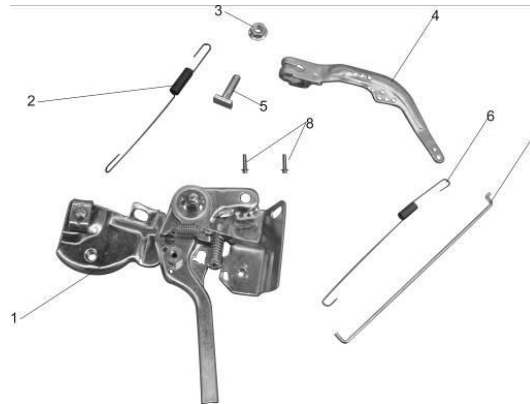


Serial No.	PART CODE FOR 75Z Power Weeder	PART CODE FOR 100/100H Power Weeder	ERP Description	Quantity for One Unit
1	SPWDS75E090010	SPMTHCEN090010	NUT / GB6177-M14	1
2	SPWDS75E090020	SPMTHCEN090020	PULLEY STARTER	1
3	SPWDS75E090030	SPMTHCEN090030	FAN COOLING / BLACK PP	1
4	SPWDS75E090040	SPMTHCEN090040	FLYWHEEL COMP	1
5	SPWDS75E090050	SPMTHCEN090050	COIL ASSY IGNITION	1
6	SPWDS75E090060	SPMTHCEN090060	BOLT / GB5787-M6*25	2
7		SPMTHCEN090070	CAP ASSY NOISE SUPPRESS	1
8		SPMTHCEN090080	COIL IGNITION	1

**X. Assembly Governor:**



**75Z Power Weeder**



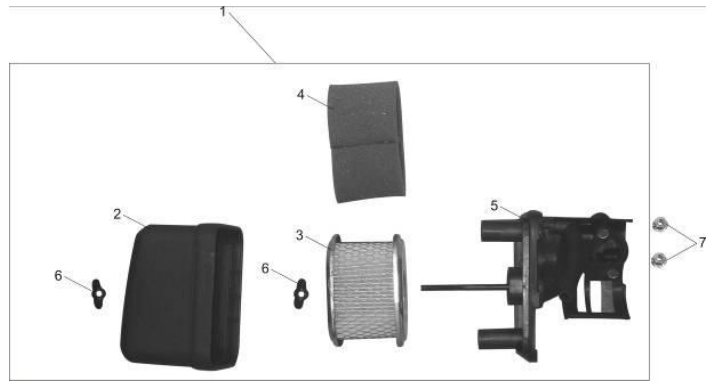
**100/ 100H Power Weeder**

Serial No.	PART CODE FOR 75Z Power Weeder	PART CODE FOR 100/100H Power Weeder	ERP Description	Quantity for One Unit
1	SPWDS75E100010	SPMTHCEN100010	CONTROL ASSY	1
2	SPWDS75E100020	SPMTHCEN100020	SPRING GOVERNOR	1
3	SPWDS75E100030	SPMTHCEN100050	NUT FLANGE M6*21	1
4	SPWDS75E100040	SPMTHCEN100030	NUT / GB6177-M6	1
5	SPWDS75E100050	SPMTHCEN100040	ARM GOVERNOR	1
6	SPWDS75E100060	SPMTHCEN100080	BOLT / GB5787-M6*12	2
7	SPWDS75E100070	SPMTHCEN100060	SPRING THROTTLE RETURN	1
8	SPWDS75E100080	SPMTHCEN100070	ROD GOVERNOR	1

**XI. Assembly Governor:**



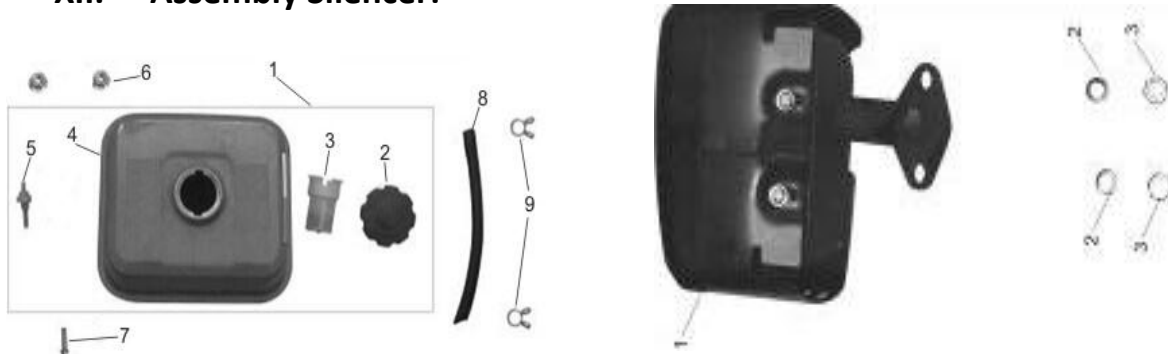
**75Z Power Weeder**



**100/ 100H Power Weeder**

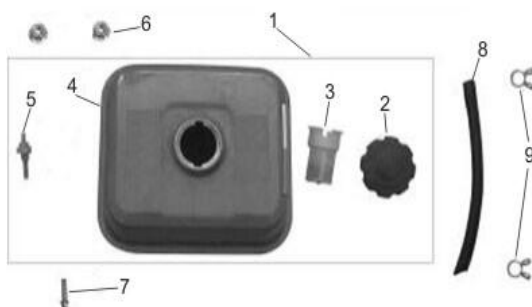
Serial No.	PART CODE FOR 75Z Power Weeder	PART CODE FOR 100/100H Power Weeder	ERP Description	Quantity for One Unit
1	SPWDS75E110010	SPMTHCEN110010	FILTER	1
2	SPWDS75E110020	SPMTHCEN110070	NUT / GB6177-M6	2
3		SPMTHCEN110020	FILTER COVER	1
4		SPMTHCEN110030	ELEMENT ASSY	1
5		SPMTHCEN110040	ROUGH SPONGE	1
6		SPMTHCEN110050	STEADIER	1
7		SPMTHCEN110060	BUTTERFLY NUT	1

### XII. Assembly Silencer:

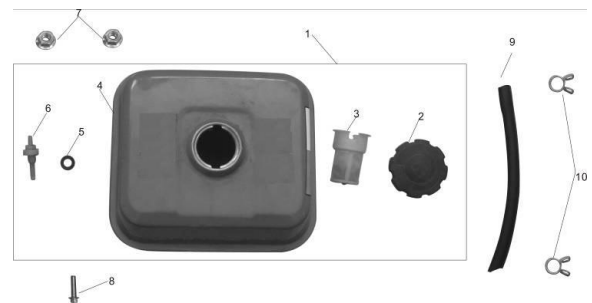


Serial No.	PART CODE FOR 75Z Power Weeder	PART CODE FOR 100/100H Power Weeder	ERP Description	Quantity for One Unit
1	SPWDS75E120010	SPMTHCEN120010	MUFFLER	1
2	SPWDS75E120020	SPMTHCEN120020	ELASTIC RING / GB93- $\phi$ 8	2
3	SPWDS75E120030	SPMTHCEN120030	NUT / GB6170-M8	2

### XIII. Assembly Fuel Tank:



**75Z Power Weeder**



**100/ 100H Power Weeder**

Serial No.	PART CODE FOR 75Z Power Weeder	PART CODE FOR 100/100H Power Weeder	ERP Description	Quantity for One Unit
1	SPWDS75E130010	SPMTHCEN130010	FUEL TANK COMP#	1
2	SPWDS75E130060	SPMTHCEN130070	NUT/GB6177-M6#	2
3	SPWDS75E130070	SPMTHCEN130080	BOLT / GB5787-M6*25#	1
4	SPWDS75E130080	SPMTHCEN130090	TUBE FUEL 4*8*145#	1

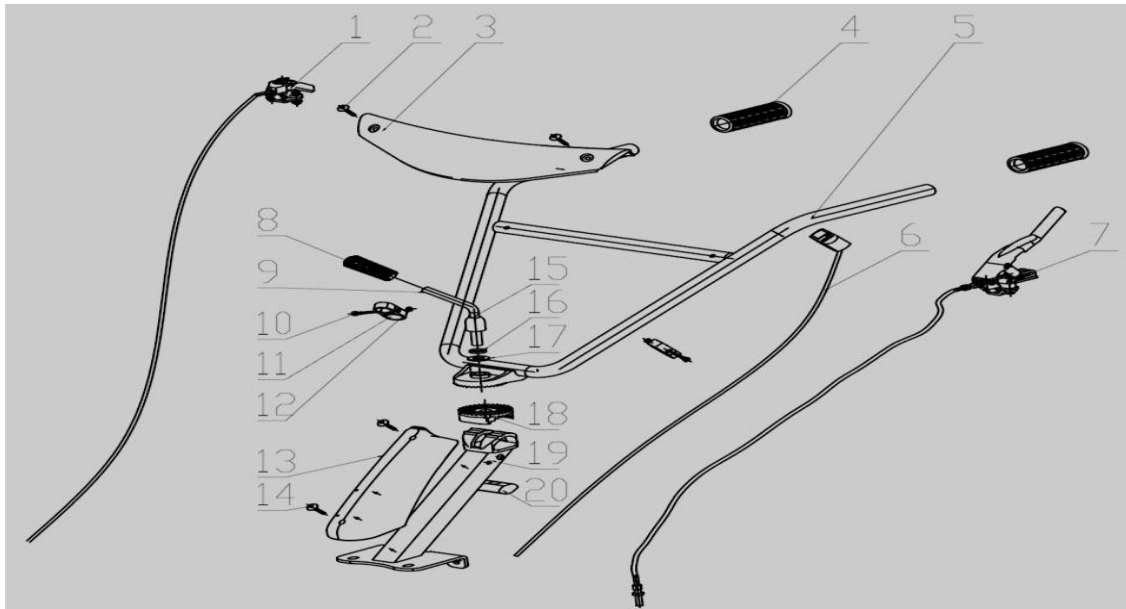
5	SPWDS75E130090	SPMTHCEN130100	CLIP TUBE#	2
6		SPMTHCEN130020	PLASTIC CAP#	1
7		SPMTHCEN130030	FUEL FILTER#	1
8		SPMTHCEN130040	TANK NOUMENON #	1
9		SPMTHCEN130050	PACKING JOINT#	1
10		SPMTHCEN130060	JOINT FUEL TANK#	1

## Exclusive Part Code for 100 H Model with GX200 engine

### Transmission Parts

Serial No.	PART CODE FOR 100H Power Weeder (Exclusive Parts for Honda GX200 engine)	ERP Description	Quantity for One Unit
1	SPMTHHEN010020	Head Gasket for Honda GX200 engine	1
2	SPMTHHEN020010	Crank Case for GX200	1
3	SPMTHHEN040010	CRANKSHAFT for GX200	1
4	SPMTHHEN040020	Ring set for GX200	1
5	SPMTHHEN040030	PISTON FOR GX200	1
6	SPMTHHEN06003A	Recoil Starter for Honda Engine,Base Version	1
7	SPMTHHEN080020	Carburetor for Honda GX200 engine	1
8	SPMTHHEN09002A	Pulley Starter for Honda Engine , Base Version	1
9	SPMTHHENST0010	Crankcase & Crankshaft Complete for Honda GX200 engine	1
10	SPMTHHENST0020	Piston with Ring Set for Honda GX200 engine	1

**I. Handle Assy:**



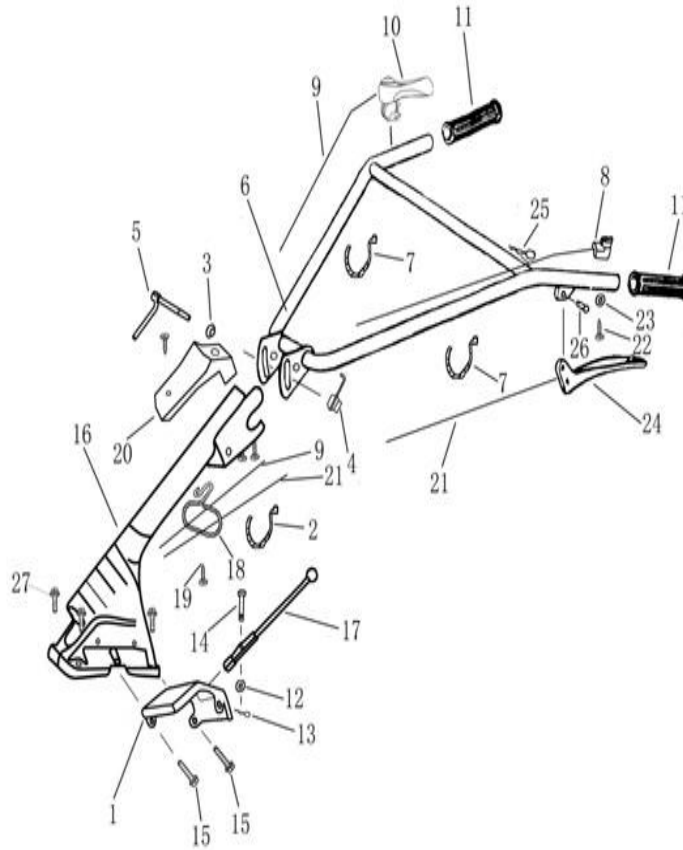
**100/ 100H Power Weeder**

Serial No.	PART CODE FOR 100/ 100H Power Weeder	ERP Description	Quantity for One Unit
1	SPMTHCBD030230	throttle switch assy	1
2	SPMTHCBD030220	screw	1
3	SPMTHCBD030210	handle decoration cover	1
4	SPMTHCBD030260	handle decoration cover	1
5		rubber cover	1
6	SPMTHCBD030250	engine switch	1
7	SPMTHCBD030120	clutch handle assy	1
8		control rubber cover	1
9	SPMTHCBD030200	lock handle	1
10		screw	1
11		wire nail	1
12		nut	1

<b>13</b>	SPMTHCBD030170	handle seat decorcation cover	1
<b>14</b>	SPMTHCBD030171	screw	1
<b>15</b>	SPMTHCBD030200	lock handle	1
<b>16</b>	SPMTHCBD030190	spring washer	1
<b>17</b>	SPMTHCBD030060	fluted disc	1
<b>18</b>	SPMTHCBD030030	handle seat	1
<b>19</b>	SPMTHCBD030050	limited plate	1



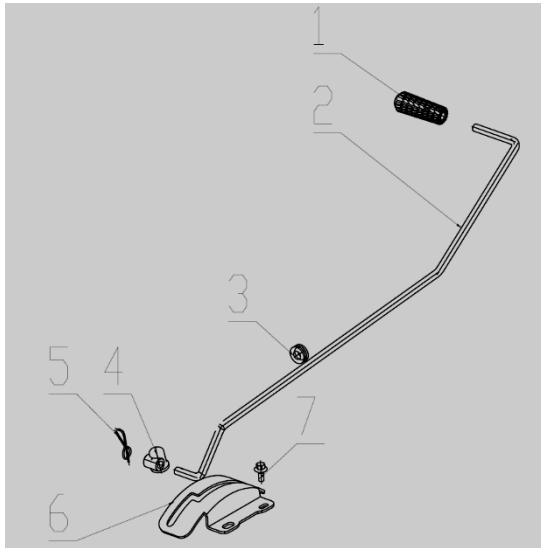
**75Z Power Weeder**



Serial No.	PART CODE FOR 75Z Power Weeder	ERP Description	Quantity for One Unit
1	SPWDS75B030010	Gear Position Indication Stand	1
2	SPWDS75B030020	BAND A	1
3	SPWDS75B030030	WIMBLE BUSH	1
4	SPWDS75B030040	STAND COMP	1
5	SPWDS75B030050	HANDLE ADJUSTER COMP	1
6	SPWDS75B030060	HANDLE COMP	1
7	SPWDS75B030070	BAND B	2
8	SPWDS75B030080	SHUT DOWN SWITCH COMP	1
9	SPWDS75B030090	Throttle Cable	/

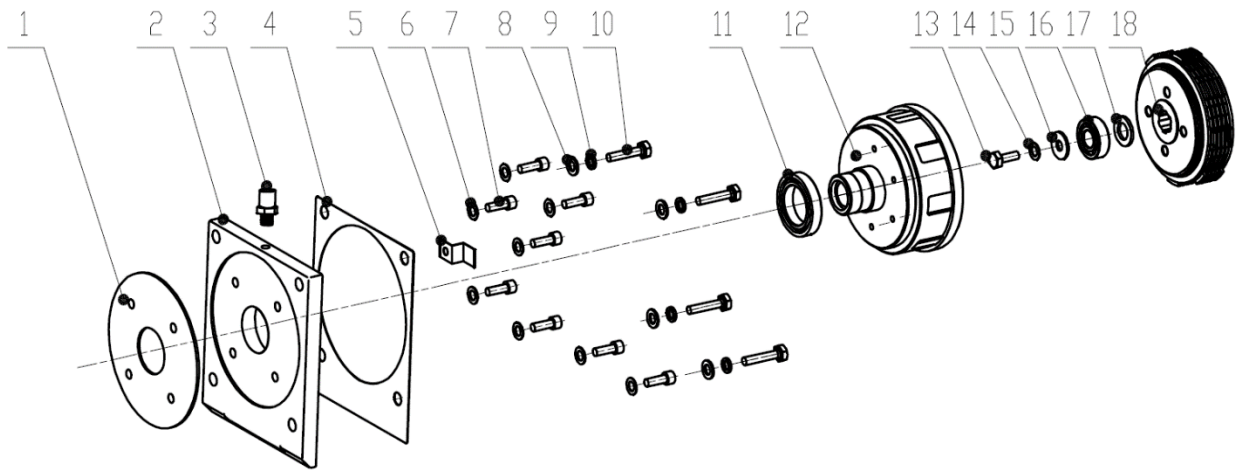
<b>10</b>	SPWDS75B030100	THROTTLE HANDLEBAR	1
<b>11</b>	SPWDS75B030110	GRIP	2
<b>12</b>	SPWDS75B030120	Washer	/
<b>13</b>	SPWDS75B030130	GARTER SPRING A	1
<b>14</b>	SPWDS75B030140	PIN 5×23	1
<b>15</b>	SPWDS75B030150	BOLT M6×10	2
<b>16</b>	SPWDS75B030160	TANDING PIPE JOINTING	1
<b>17</b>	SPWDS75B030170	SHIFT LEVER	1
<b>18</b>	SPWDS75B030180	LOOP	1
<b>19</b>	SPWDS75B030190	SCREW M5×10	4
<b>20</b>	SPWDS75B030200	INLET COVER	1
<b>21</b>	SPWDS75B030210	TENSIONER CABLE	1
<b>22</b>	SPWDS75B030220	Nut	1
<b>23</b>	SPWDS75B030230	Washer	1
<b>24</b>	SPWDS75B030240	TENSIONER HANDLE	1
<b>25</b>	SPWDS75B030250	Cotter Pin	1
<b>26</b>	SPWDS75B030260	PIN 8×27	1
<b>27</b>	SPWDS75B030270	BOLT M8×16	4

**II. Gear shift Assy (Push type gear shift lever) (For 100/100H Power Weeder):**



Serial No.	PART CODE FOR 100/100H Power Weeder	ERP Description	Quantity for One Unit
1	SPMTHCBD030080	control rubber cover	
2	SPMTHCBD030070	gear shift lever	
3		rubber washer	
4	SPMTHCBD030010	fixing sleeve for gear shift lever	
5	SPMTHCBD030130	lock clip	
6	SPMTHCBD030020	gear shift cover	
7	SPMTHCBD030040	screw	

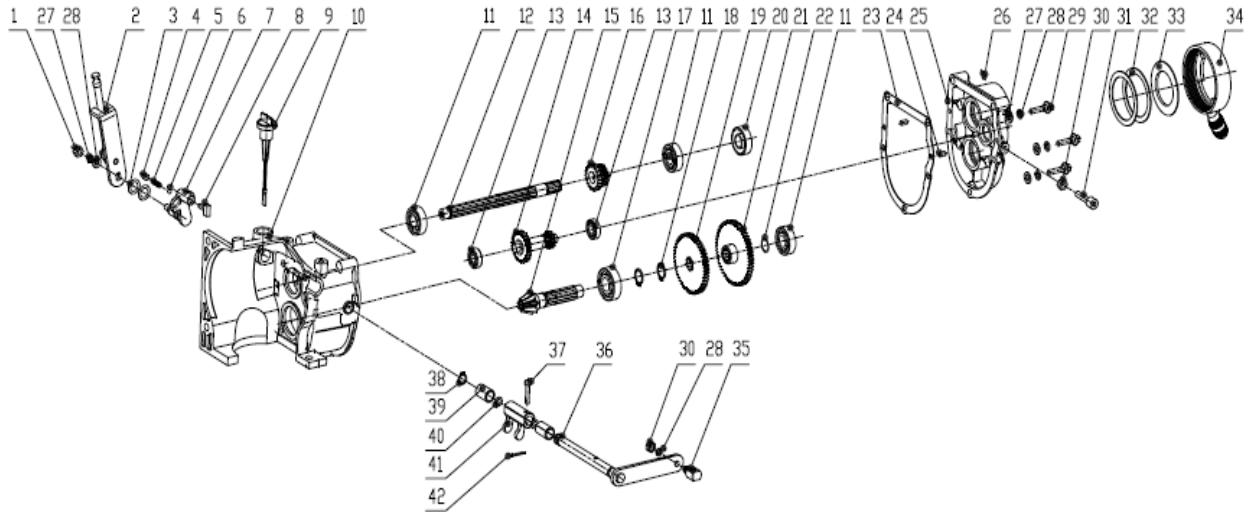
### III. ENGINE AND TRANSMISSION BOX CONNECTING PART (For 100/100H Power Weeder):



Serial No.	PART CODE FOR 100/100H Power Weeder	ERP Description	Quantity for One Unit
1	SPMTHCBD020210	Flange power box gasket	1
2	SPMTHCBD020200	Flange	1
3	SPMTHCBD020120	Relief bolt	1
4	SPMTHCBD020190	Flange gearbox paper pad	1
5		Oil seal board	1
6	SPMTHCBD020030	Spring washer	8
7	SPMTHCBD020230	Screw	8
8	SPRTHCBD020160	Flat washer	4
9	SPRTHCBD020150	Spring washer	4
10	SPRTHCBD020140	Bolt	4
11	SPRTHCBD020180	Bearing	1
12		Clutch cover	1
13		Bolt	1
14	SPRTHCBD020170	Spring lock washer	1
15		Flat washer	1

<b>16</b>		Bearing	1
<b>17</b>		Non-standard steel gasket	1
<b>18</b>		Clutch core	1

**IV. Gearbox Assy (For 100/100H Power Weeder):**

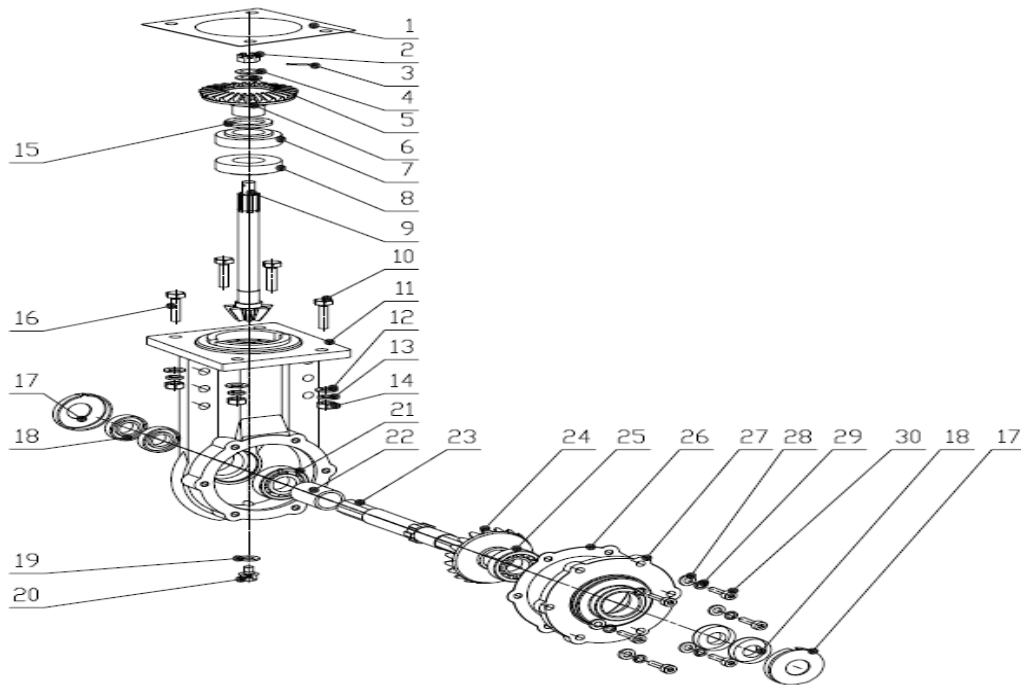


<b>Serial No.</b>	<b>PART CODE FOR 100/100H Power Weeder</b>	<b>ERP Description</b>	<b>Quantity for One Unit</b>
<b>1</b>	SPMTHCBD020240	Nut	1
<b>2</b>	SPMTHCBD020250	gear shift arm	1
<b>3</b>	SPMTHCBD020270	O ring	2
<b>4</b>	SPMTHCBD020260	Screw	1
<b>5</b>	SPMTHCBD020280	Shift fork spring	1
<b>6</b>	SPMTHCBD020290	Steel ball	1
<b>7</b>	SPMTHCBD020300	Shift fork	1
<b>8</b>	SPMTHCBD020310	Shift fork	1
<b>9</b>	SPMTHCBD020110	Dipstick	1
<b>10</b>	SPMTHCBD020130	Gearbox	1

11	SPMTHCBD020400	Bearing	3
12	SPMTHCBD020430	Spindle	1
13	SPMTHCBD020460	Bearing	2
14	SPMTHCBD020470	Reversing double teeth	1
15	SPMTHCBD020340	Vice axis	1
16	SPMTHCBD020420	Gear shift gear	1
17	SPMTHCBD020350	Bearing	1
18	SPMTHCBD020360	Shaft ring	2
19	SPMTHCBD020370	Gear for the 2nd gear shift	1
20	SPMTHCBD020410	Oil seal	1
21	SPMTHCBD020380	Gear for the 1st gear shift	1
22	SPMTHCBD020390	Non-standard steel gasket	1
23	SPMTHCBD020490	Gearbox rear cover box paper pad	1
24	SPMTHCBD020480	Locating pins	2
25	SPMTHCBD020450	Gearbox rear cover	1
26	SPMTHCBD020540	Screw	1
27	SPMTHCBD020160	Flat Washers	3
28	SPMTHCBD020150	Spring washers	4
29	SPMTHCBD020440	bolt	3
30	SPMTHCBD020040	Nuts	2
31	SPMTHCBD020530	Clutch seat	1
32	SPMTHCBD020520	Non-standard steel gasket	1
33	SPMTHCBD020510	Water pump dust cover	1
34	SPMTHCBD020500	Lock plate assembly	1
35	SPMTHCBD020010	Clutch seat	1
36	SPMTHCBD020020	Clutch arm	1

<b>37</b>	SPMTHCBD020070	Pin	1
<b>38</b>	SPMTHCBD020100	Shaft ring	1
<b>39</b>	SPMTHCBD020050	Clutch bushing	2
<b>40</b>	SPMTHCBD020060	O ring	2
<b>41</b>	SPMTHCBD020080	Clutch fork	1
<b>42</b>	SPMTHCBD020090	Open pin	1

**V. GEARBOX ASSY (For 100/100H Power Weeder):**

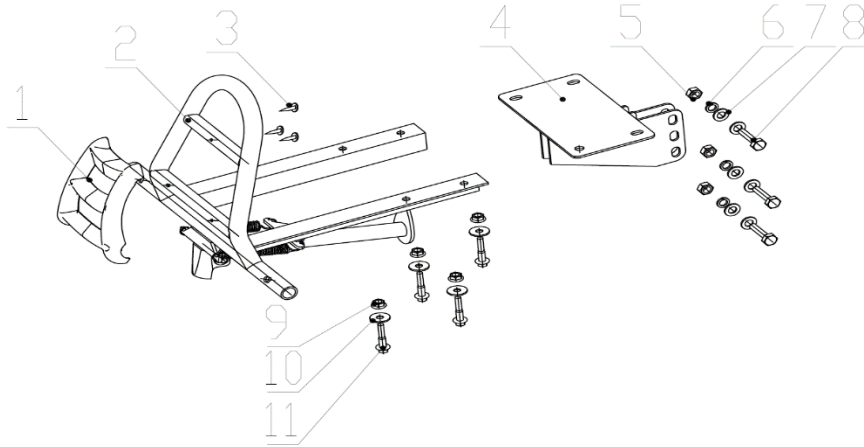


<b>Serial No.</b>	<b>PART CODE FOR 100/100H Power Weeder</b>	<b>ERP Description</b>	<b>Quantity for One Unit</b>
<b>1</b>	SPMTHCBD010100	Walking gearbox Paper Pad	1
<b>2</b>	SPMTHCBD010020	Nut	1
<b>3</b>	SPMTHCBD010010	Open pin	1
<b>4</b>	SPMTHCBD010030	Spring washers	1
<b>5</b>	SPMTHCBD010040	Flat Washers	1

<b>6</b>	SPMTHCBD010050	Vice axle teeth	1
<b>7</b>	SPMYHCBD010070	Bearing	1
<b>8</b>	SPMYHCBD010080	Bearing	1
<b>9</b>	SPMYHCBD010090	Driven bevel gear shaft	1
<b>10</b>	SPMTHCBD020320	bolt	2
<b>11</b>	SPMTHCBD010110	Walking gearbox	1
<b>12</b>	SPMTHCBD020160	Flat Washers	4
<b>13</b>	SPMTHCBD020150	Spring washers	4
<b>14</b>	SPMTHCBD020330	Nut	4
<b>15</b>	SPMYHCBD010060	Adjusting washer	1
<b>16</b>	SPMTHCBD020320	bolt	2
<b>17</b>	SPMTHCBD010210	Dust cover	2
<b>18</b>	SPMTHCBD010280	Oil seal	4
<b>19</b>	SPMTHCBD010230	Copper flat pad	1
<b>20</b>	SPMTHCBD010240	bolt	1
<b>21</b>	SPMTHCBD010190	Bearing	1
<b>22</b>	SPMTHCBD010260	Output shaft bushings	1
<b>23</b>	SPMTHCBD010250	Output shaft	1
<b>24</b>	SPMTHCBD010170	Walking bevel gear	1
<b>25</b>		Bearing	1
<b>26</b>		Paper Pad of the walking box end cover	1
<b>27</b>	SPMTHCBD010160	walking box end cover	1
<b>28</b>	SPMTHCBD010150	Flat Washers	6
<b>29</b>	SPMTHCBD010140	Spring washers	6
<b>30</b>	SPMTHCBD010130	Screw	

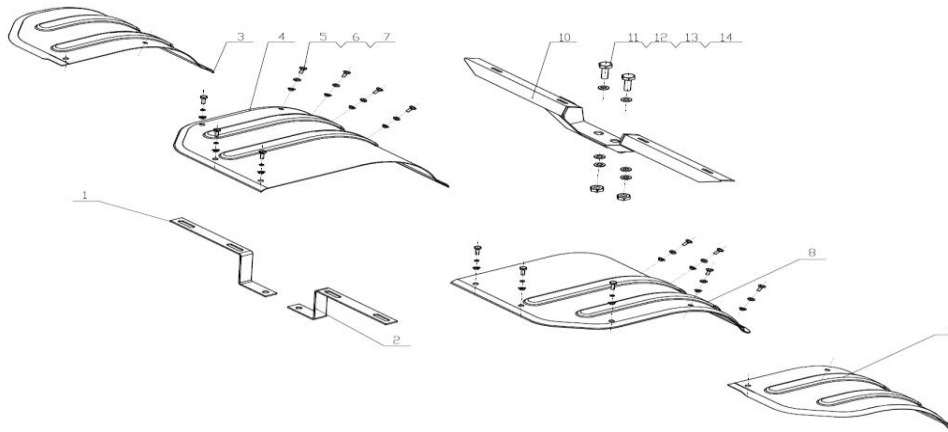


**VI. POWER SUPPORT ASSY (For 100/100H Power Weeder):**



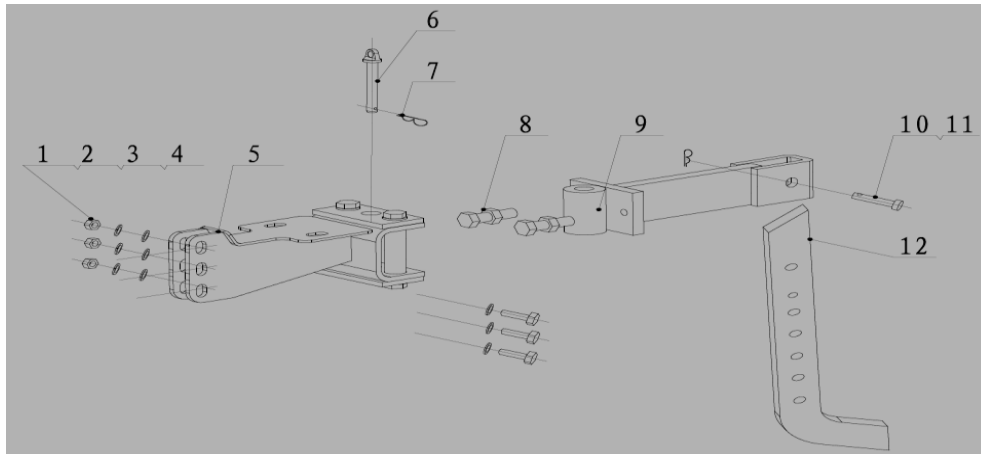
Serial No.	PART CODE FOR 100/100H Power Weeder	ERP Description	Quantity for One Unit
1		bumper decoration cover	1
2	SPMTHCBD080080	bumper assy	1
3		screw	3
4	SPMTHCBD080020	power support	1
5	SPMTHCBD080050	nut	3
6	SPMTHCBD080040	spring washer	3
7	SPMTHCBD080030	flat washer	3
8	SPMTHCBD080070	bolt	3
9		but	4
10	SPMTHCBD080010	flat washer	4
11		bolt	4
12		spring washer	4

## VII. FENDER ASSY (For 100/100H Power Weeder):



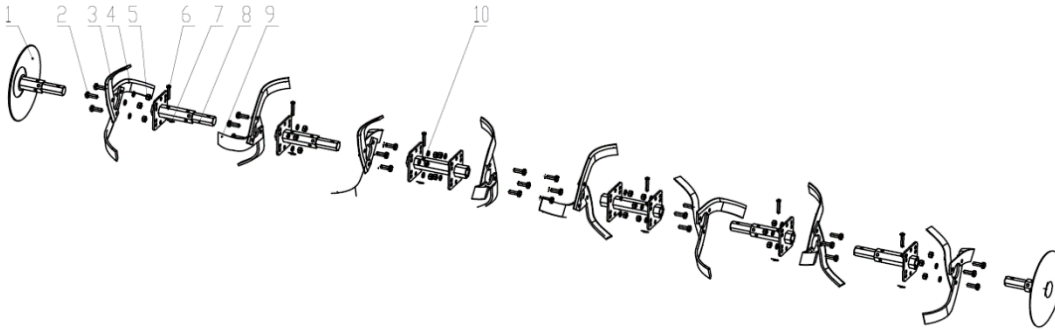
Serial No.	PART CODE FOR 100/100H Power Weeder	ERP Description	Quantity for One Unit
1	SPMTHCBD050060	left mud fender front support	1
2	SPMTHCBD050070	right mud fender front support	1
3	SPMTHCBD050090	right fender	1
4	SPMTHCBD050080	right fender	1
5	SPMTHCBD050020	screw	8
6	SPMTHCBD050050	nut	14
7	SPMTHCBD050030	fender paper gasket	14
8	SPMTHCBD040070	fender rear support	1
9	SPMTHCBD040080	bolt	2
10	SPMTHCBD040030	flat washer	2
11	SPMTHCBD040100	spring washer	2
12	SPMTHCBD040110	bnut	2
13	SPMTHCBD050010	left fender	1
14	SPMTHCBD050040	left fender	1
15	SPMTHCBD050100	front fender	1

### VIII. TRAILER COSRP ASSY (For 100/100H Power Weeder):



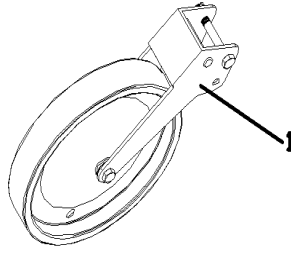
Serial No.	PART CODE FOR 100/100H Power Weeder	ERP Description	Quantity for One Unit
1	SPMTHCBD040090	bolt	3
2	SPMTHCBD040030	flat washer	6
3	SPMTHCBD040100	spring washer	3
4	SPMTHCBD040110	nut	5
5	SPMTHCBD040120	trailer	1
6	SPMTHCBD040060	trailer pin	1
7	SPMTHCBD040130	R-pin	1
8	SPMTHCBD040140	bolt	2
9	SPMTHCBD040050	connection frame	1
10	SPMTHCBD040020	pin shaft	1
11	SPMTHCBD040030	R-pin	1
12	SPMTHCBD040010	resistance stick	1

### XI. BLADE ASSY (For 100/100H Power Weeder):



Serial No.	PART CODE FOR 100/100H Power Weeder	ERP Description	Quantity for One Unit
1	SPMTHCBD070010	DISC	2
2	SPMTHCBD070020	BOLT	24
3	SPMTHCBD070060	LEFT ROTARY BLADE	12
4	SPMTHCBD070040	WASHER SPRING	24
5	SPMTHCBD070050	NUT	24
6	SPMTHCBD070120	PIN SHAFT	6
7	SPMTHCBD070100	R pin	6
8	SPMTHCBD070080	VICE BLADE CYLINDER	2
9	SPMTHCBD070070	right rotary blade	12
10	SPMTHCBD070090	main blade cylinder	2

**XII. FRONT WHEEL ASSY (For 75Z Power Weeder):**



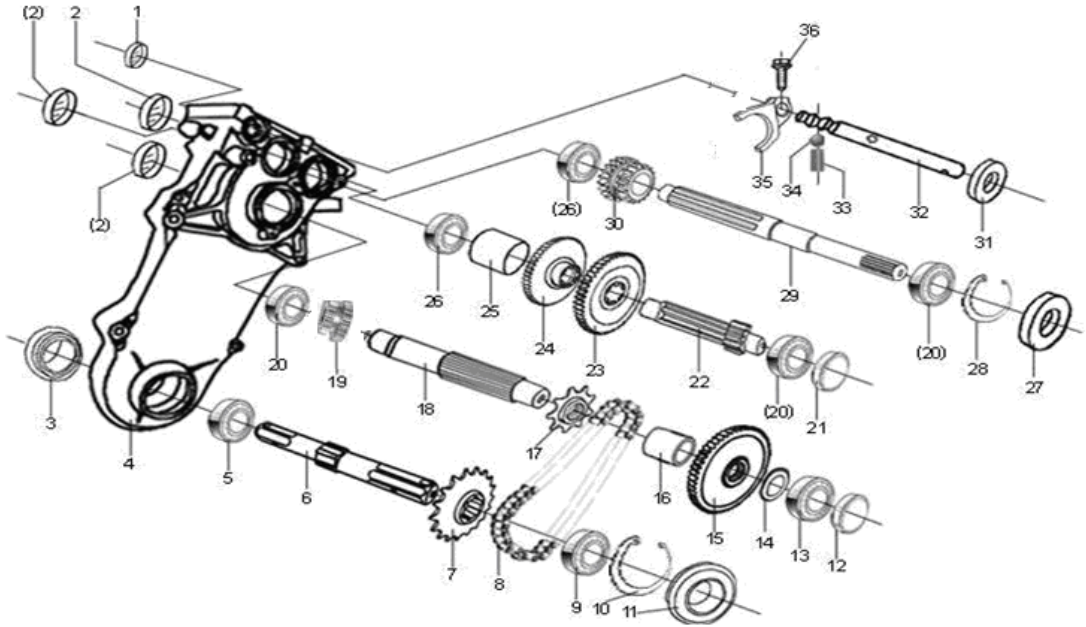
Serial No.	PART CODE FOR 75Z Power Weeder	ERP Description	Quantity for One Unit
1	SPWDS75B010010	FRONT SUPPORT OF WHEEL	1

**XIII. STAND JOINING ASSY (For 75Z Power Weeder):**



Serial No.	PART CODE FOR 75Z Power Weeder	ERP Description	Quantity for One Unit
1	SPWDS75B020010	STAND JOINING COMP	1

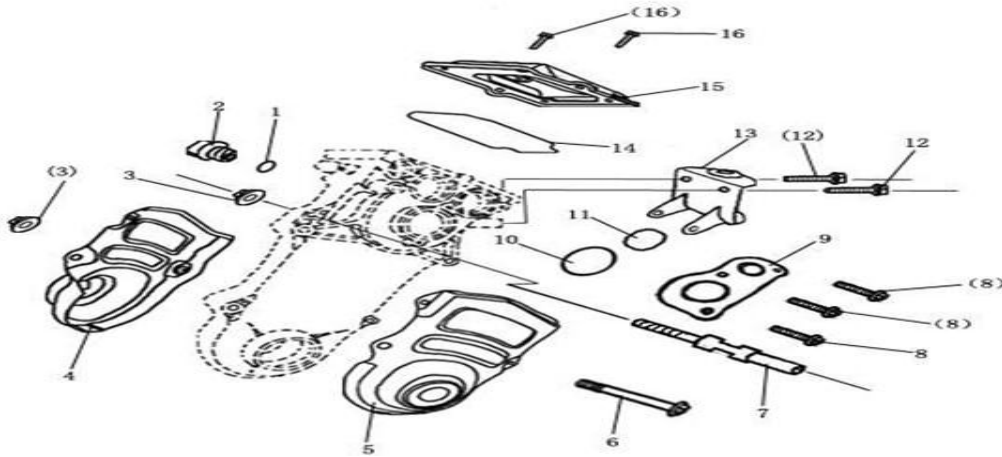
#### XIV. GEARBOX ASSY (For 75Z Power Weeder):



Serial No.	PART CODE FOR 75Z Power Weeder	ERP Description	Quantity for One Unit
1	SPWDS75B040010	OIL PLUG B	1
2	SPWDS75B040020	OIL PLUG A	3
3	SPWDS75B040030	OIL PLUG B	1
4	SPWDS75B040040	GEAR BOX	1
5	SPWDS75B040050	BEARING 6005	1
6	SPWDS75B040060	DRIVEN SPROCKET SHAFT	1
7	SPWDS75B040070	DRIVERN SPOCKET	1
8	SPWDS75B040080	CHAIN	1
9	SPWDS75B040090	BEARING 6205	1
10	SPWDS75B040100	CHECK RING 52	1
11	SPWDS75B040110	OIL PLUG A	1
12	SPWDS75B040120	BUSH D	1
13	SPWDS75B040130	BEARING 6203	1
14	SPWDS75B040140	SR1Z-750/80B BAKUP PLATE	1
15	SPWDS75B040150	DRIVING GEAR	1
16	SPWDS75B040160	BUSH I	1
17	SPWDS75B040170	DRIVING SPROCKET	1
18	SPWDS75B040180	DRIVING SPROCKET SHAFT	1
19	SPWDS75B040190	IDLER	1

<b>20</b>	SPWDS75B040200	BEARING 6202	3
<b>21</b>	SPWDS75B040210	BUSH C	1
<b>22</b>	SPWDS75B040220	COUNTER SHAFT	1
<b>23</b>	SPWDS75B040230	THE 1ST DRIVEN GEAR	1
<b>24</b>	SPWDS75B040240	THE 2ST DRIVEN GEAR	1
<b>25</b>	SPWDS75B040250	BUSH F	1
<b>26</b>	SPWDS75B040260	BEARING 6002	2
<b>27</b>	SPWDS75B040270	OIL SEAL 16×35×7	1
<b>28</b>	SPWDS75B040280	CIRCLIP35.3	1
<b>29</b>	SPWDS75B040290	MAIN SHAFT	1
<b>30</b>	SPWDS75B040300	TWO-THROW GEAR	1
<b>31</b>	SPWDS75B040310	OIL SEAL 12×22×6	1
<b>32</b>	SPWDS75B040320	SHIFT FORK SHAFT	1
<b>33</b>	SPWDS75B040330	SPRING	1
<b>34</b>	SPWDS75B040340	STELL BALL SØ6.3	
<b>35</b>	SPWDS75B040350	SHIFT FORK	1
<b>36</b>	SPWDS75B040360	BOLT M6×20	1

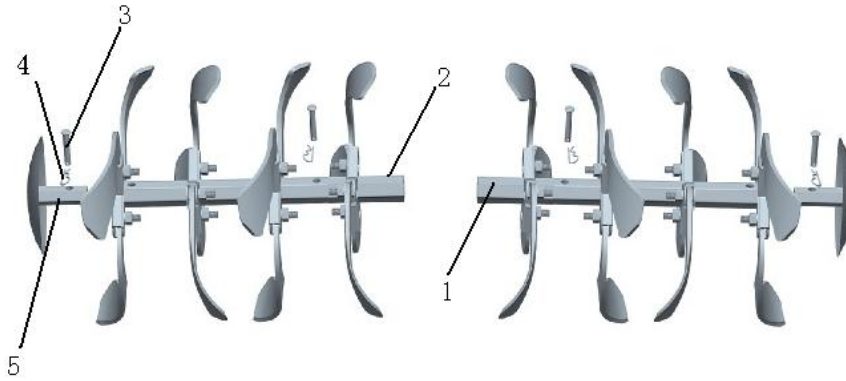
**XV. LOWER GEARBOX ASSY (For 75Z Power Weeder):**



Serial No.	PART CODE FOR 75Z Power Weeder	ERP Description	Quantity for One Unit
1	SPWDS75B050010	O -RING 17×2	1
2	SPWDS75B050020	OIL HOLE PLUG	1
3	SPWDS75B050030	NUT M8	2
4	SPWDS75B050040	GEAR BOX RIGHT COVER	1
5	SPWDS75B050050	GEAR BOX LEFT COVER	1
6	SPWDS75B050060	BOLT M6×40	1
7	SPWDS75B050070	TAKE-UP TUMBLER BACKING ROL	1
8	SPWDS75B050080	BOLT M6×12	3
9	SPWDS75B050090	OIL STOPPER	1
10	SPWDS75B050100	O- RING 43.5×2.6	1
11	SPWDS75B050110	O-RING 39X2.6	1
12	SPWDS75B050120	BOLT M8×20	2
13	SPWDS75B050130	HINGE COMP	1
14	SPWDS75B050140	SEAL RING OF TOP COVER	1
15	SPWDS75B050150	TOP COVER COMP OF GEAR BOX	1
16	SPWDS75B050160	BOLT M6×12	2

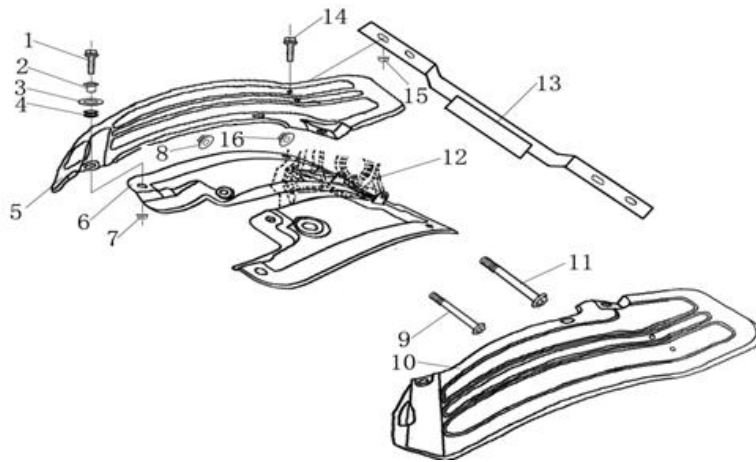


**XVI. BLADE ASSY (For 75Z Power Weeder):**



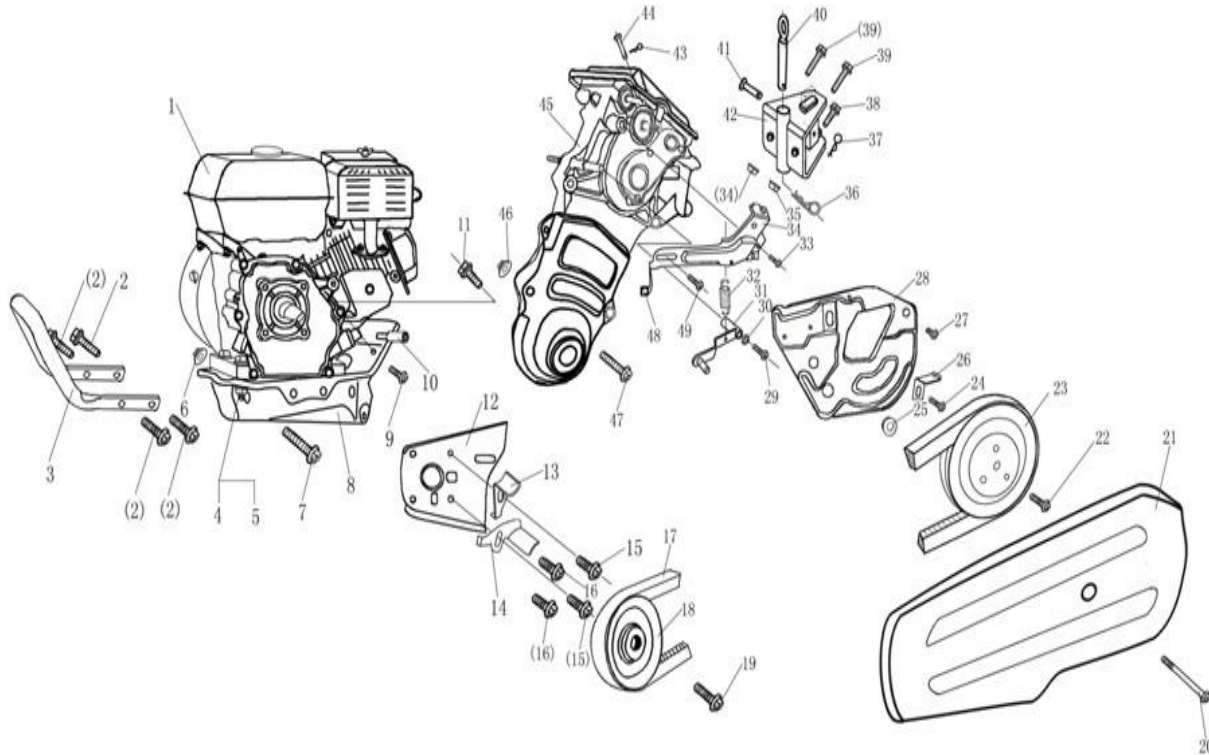
Serial No.	PART CODE FOR 75Z Power Weeder	ERP Description	Quantity for One Unit
1	SPWDS75B050010	ROTARY BLADE (RIGHT)	1
2	SPWDS75B050020	ROTARY BLADE (LEFT)	1
3	SPWDS75B050030	PIN ROLL / $\phi$ 8*50	4
4	SPWDS75B050040	PIN B	4
5	SPWDS75B050050	TRIMMING WHEEL	2

**XVII. FENDER ASSY (For 75Z Power Weeder):**



Serial No.	PART CODE FOR 75Z Power Weeder	ERP Description	Quantity for One Unit
1	SPWDS75B060010	BOLT M6×16	6
2	SPWDS75B060020	BUSH J	6
4	SPWDS75B060030	RUBBER SLEEVER	6
5	SPWDS75B060040	RIGHT FENDER	1
6	SPWDS75B060050	INNER FENDER	1
7	SPWDS75B060060	NUT M6	6
8	SPWDS75B060070	NUT M8	1
9	SPWDS75B060080	BOLT M8×70	1
10	SPWDS75B060090	LEFT FENDER	1
11	SPWDS75B060100	BOLT M10×90	1
12	SPWDS75B060110	/	/
13	SPWDS75B060120	CONNECTING PLATE	1
14	SPWDS75B060130	BOLT M6×12	4
15	SPWDS75B060140	Nut M6	4
16	SPWdS75B060150	NUT M10	1

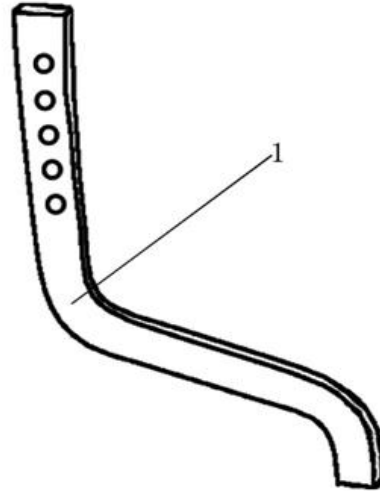
**XVIII. CHASSIS ASSY (For 75Z Power Weeder):**



Serial No.	PART CODE FOR 75Z Power Weeder	ERP Description	Quantity for One Unit
2	SPWDS75B080020	BOLT M8×16	4
3	SPWDS75B080030	HANDRAIL	1
4	SPWDS75B080040	NUT M8	4
5	SPWDS75B080050	BOLT M8×40	4
6	SPWDS75B080060	NUT M10	2
/	SPWDS75B080070	/	/
8	SPWDS75B080080	ENGINEBEARER	1
/	SPWDS75B080090	/	/
10	SPWDS75B080100	TENSIONER BUFFER	1
/	SPWDS75B080110	/	/
12	SPWDS75B080120	DRIVING PULLEY PLATER	1
13	SPWDS75B080130	V-BELT GUARD B	1
14	SPWDS75B080140	V-Belt GUARD C	1

15	SPWDS75B080150	BOLT M8×16	2
16	SPWDS75B080160	BOLT M8×20	2
17	SPWDS75B080170	V-BELT	1
18	SPWDS75B080180	DRIVING PULLEY	1
19	SPWDS75B080190	BOLT M8×20	1
20	SPWDS75B080200	BOLT M6×55	1
21	SPWDS75B080210	BELT PROTECTOR	1
22	SPWDS75B080220	BOLT M8×20	1
23	SPWDS75B080230	DRIVE PULLEY COMP	1
24	SPWDS75B080240	BOLT M6×16	1
25	SPWDS75B080250	BOLT M6×17	1
26	SPWDS75B080260	V-BELT GUARD A	1
27	SPWDS75B080270	BOLT M6×8	1
28	SPWDS75B080280	PASSIVITY PULLEY PLATE	1
29	SPWDS75B080290	BOLT M6×12	1
30	SPWDS75B080300	WASHER 6	1
31	SPWDS75B080310	SUPPORT WELDING COMP	1
32	SPWDS75B080320	TENSIONER SPRING	1
33	SPWDS75B080330	BOLTM8×16	1
34	SPWDS75B080340	CONNECTING PLATE	1
35	SPWDS75B080350	NUTM8	2
36	SPWDS75B080360	GARTER SPRING C	1
37	SPWDS75B080370	GARTER SPRING B	1
38	SPWDS75B080380	BOLT M8×20	1
39	SPWDS75B080390	BOLT M8×30	2
40	SPWDS75B080400	PIN SPINDLE	1
41	SPWDS75B080410	PIN SPINDLE 8×30	1
42	SPWDS75B080420	RATORY BLADE CONNECTING SET	1
43	SPWDS75B080430	GARTER SPRING A	1
44	SPWDS75B080440	PIN SPINDLE 5×25	1
46	SPWDS75B080460	NUT M8	1
47	SPWDS75B080470	BOLT M8×55	1
48	SPWDS75B080480	BOLT M8×18	1

### XIX. SPEED ADJUSTING BAR ASSY (For 75Z Power Weeder):



Serial No.	PART CODE FOR 75Z Power Weeder	ERP Description	Quantity for One Unit
1	SPWDS75B080010	DEEP FURROWING RESISTANCE PART	1



**Corporate Address:** Shrachi Tower, 686, Anandapur, E.M Bypass Junction, Kolkata – 700 107 | +91 33 4984 4984

**Registered Address:** 2, Jessore Road, Dum Dum, Kolkata – 700 028 | +91 90077 24621 | [btl.tech@shrachi.com](mailto:btl.tech@shrachi.com)

**Branch Offices:** Cuttack | Guwahati | Patna | Raipur | Hyderabad | Bengaluru | Faridabad (Delhi) | Vellore (Chennai) | Sangli (Pune)

SERVICE HELPLINE NO – 91632 20000 | Email – [btlmktg@shrachi.com](mailto:btlmktg@shrachi.com) | [www.shrachi.com/btl\\_agro](http://www.shrachi.com/btl_agro)